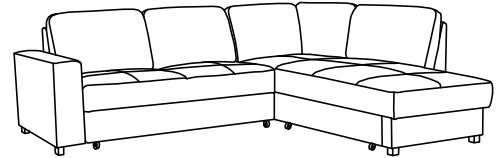
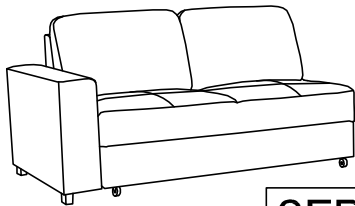
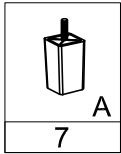
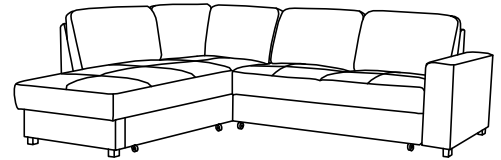


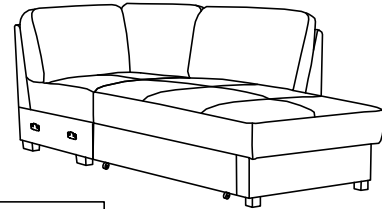
VERSION - R



VERSION - L



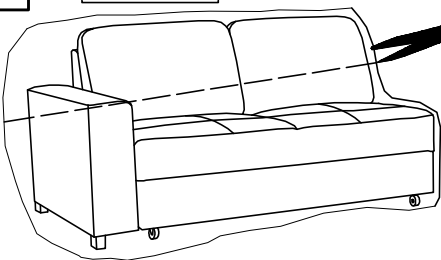
2FBL



OSP

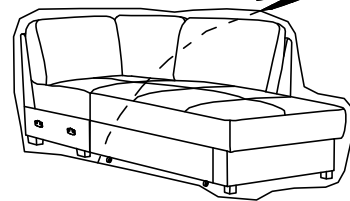
1

2FBL

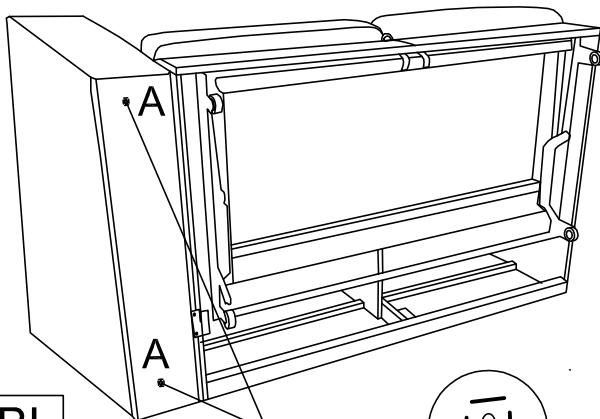
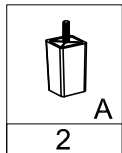


2

OSP

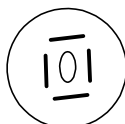


3

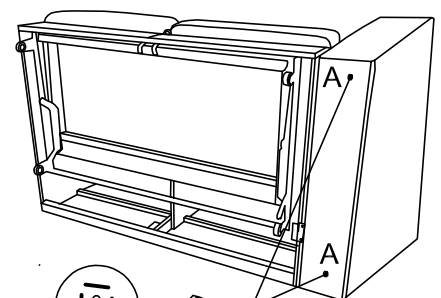


2FBL

90°



2FBP

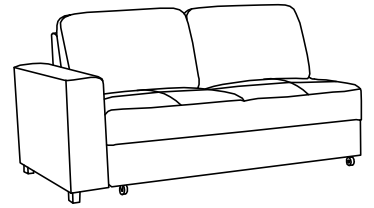
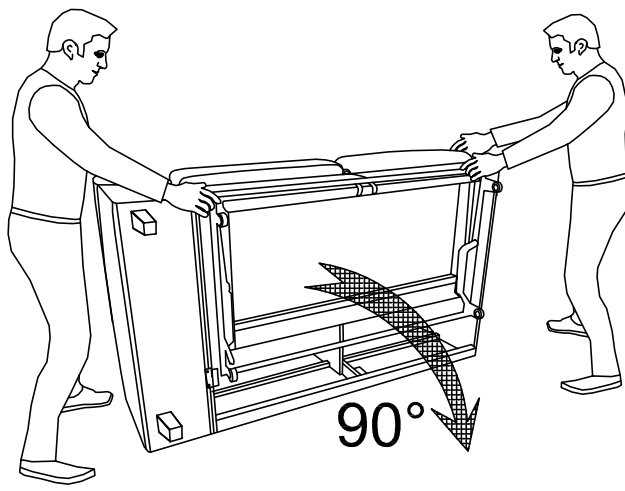


90°



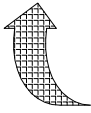
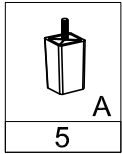
4

2FBL

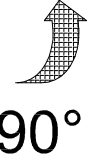
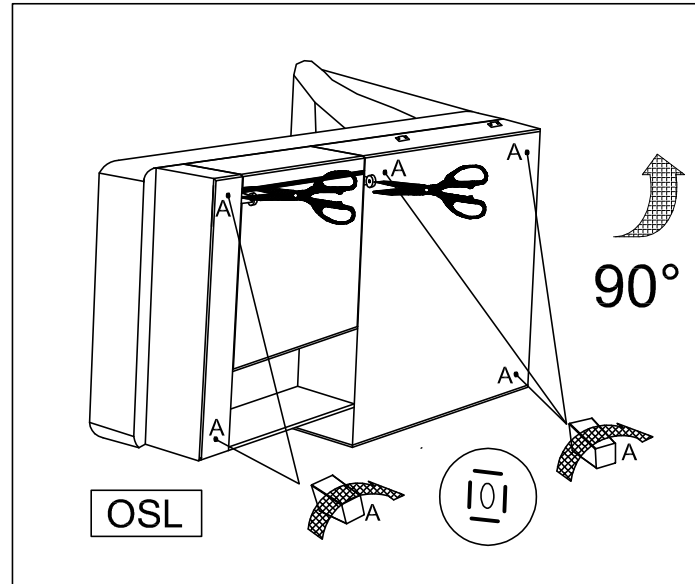
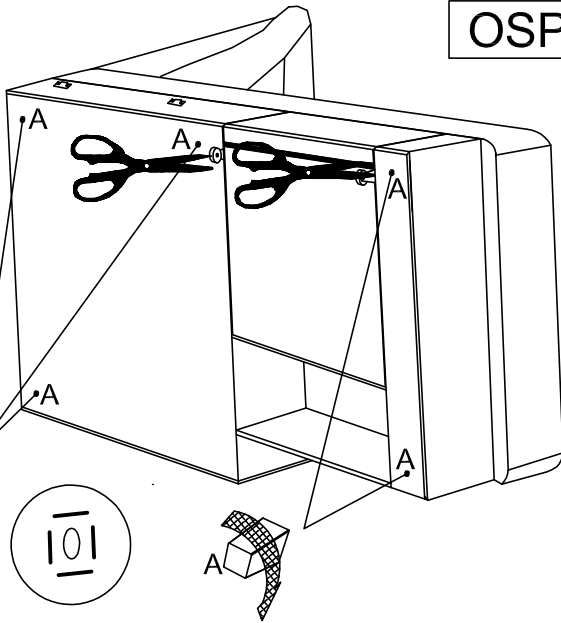
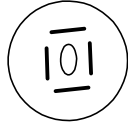


5

OSP



90°

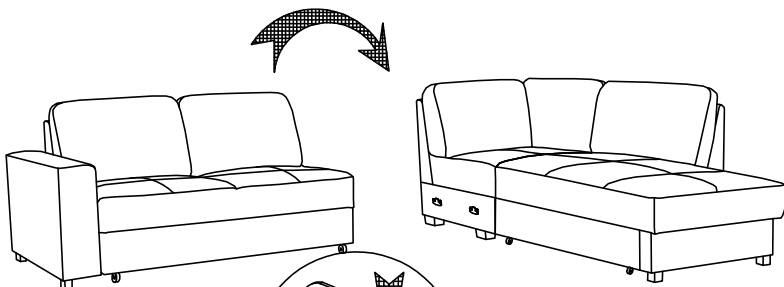


90°

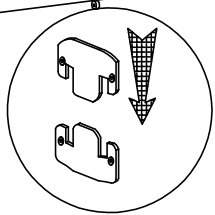
OSL



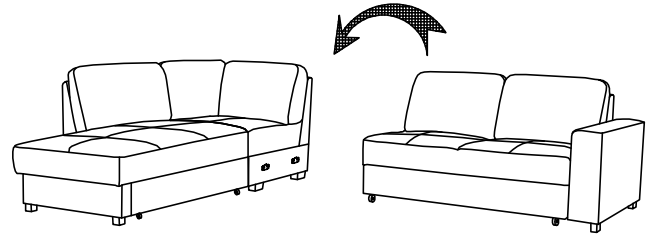
6



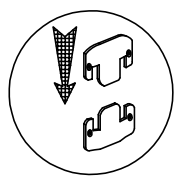
2FBL



OSP

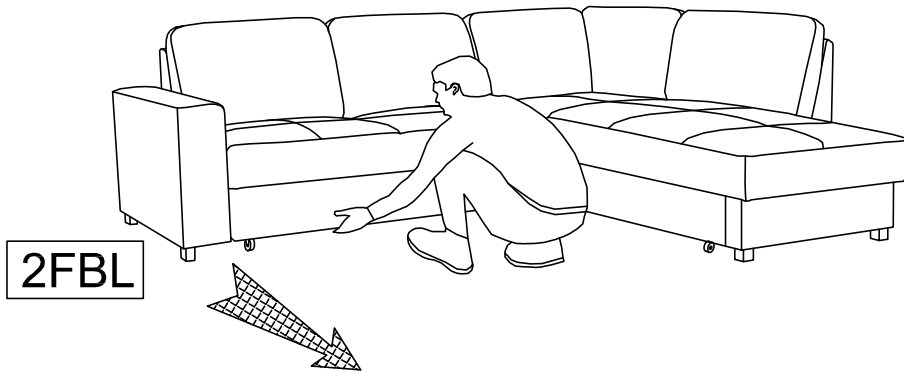


OSL

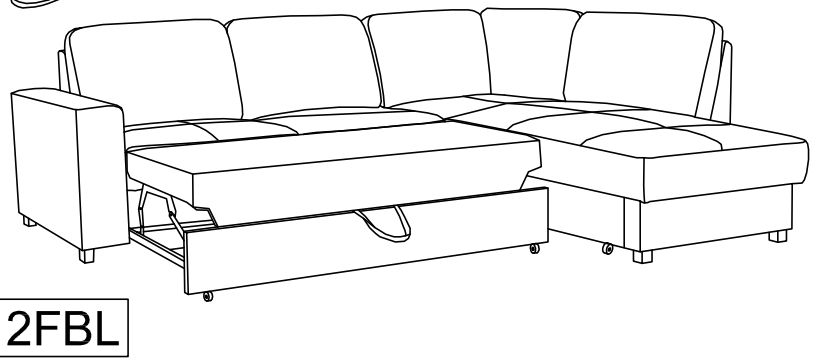
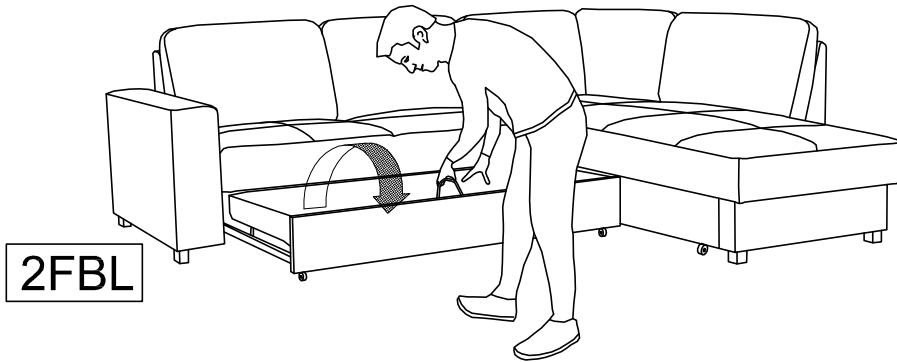


2FBP

7



8



9

