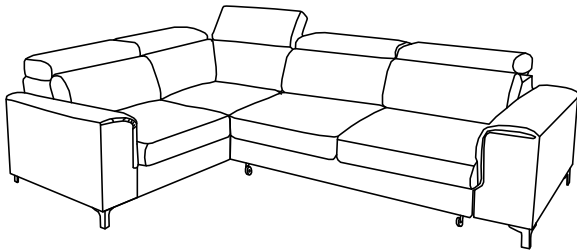
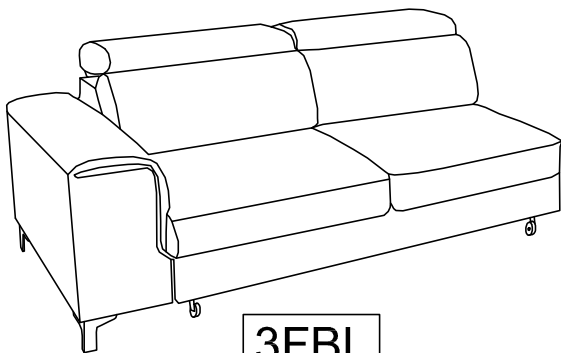
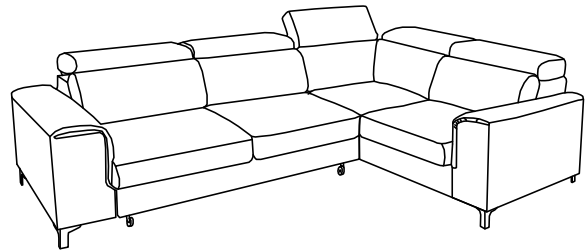


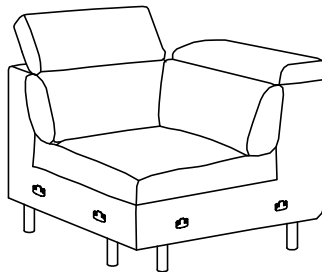
VERSION - L



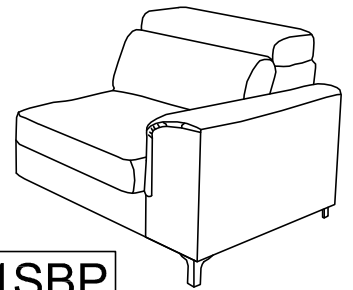
VERSION - R



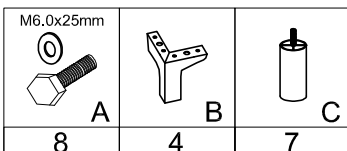
3FBL



R

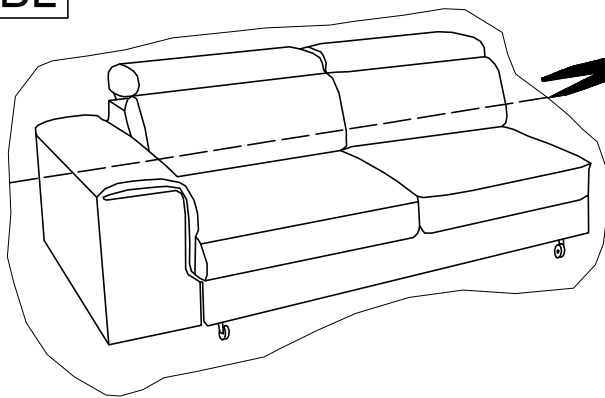


1SBP



1

3FBL

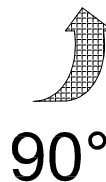
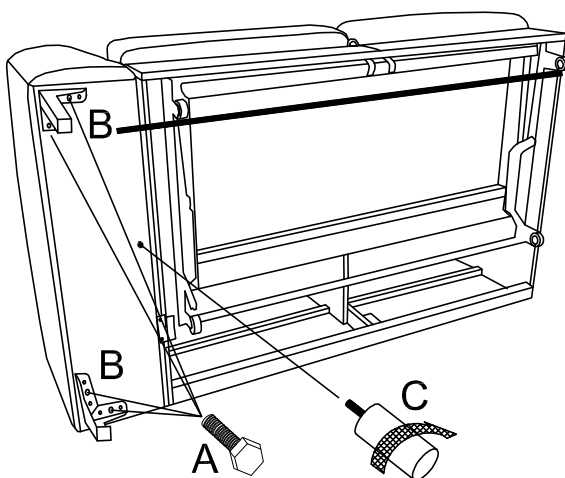
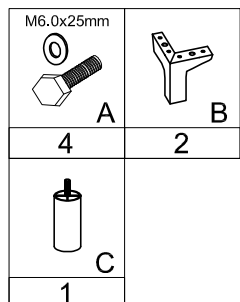


2

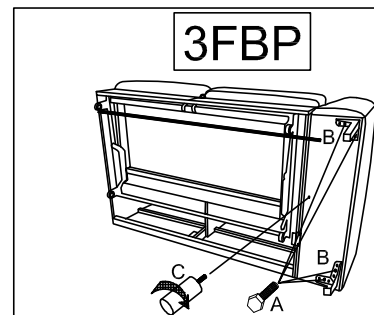
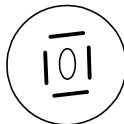
3FBL



10



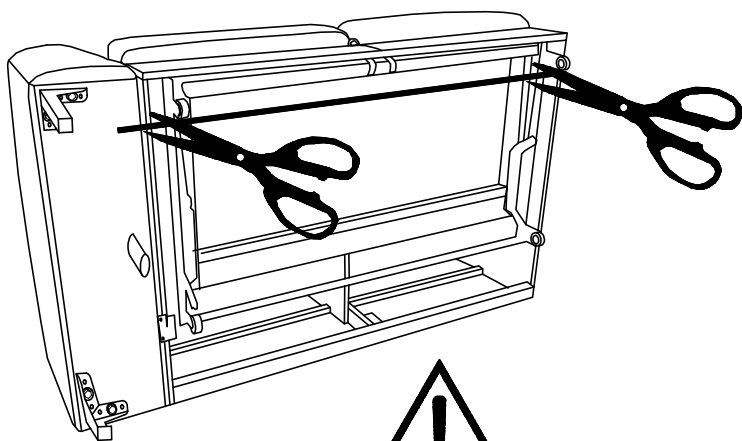
90°



3FBP

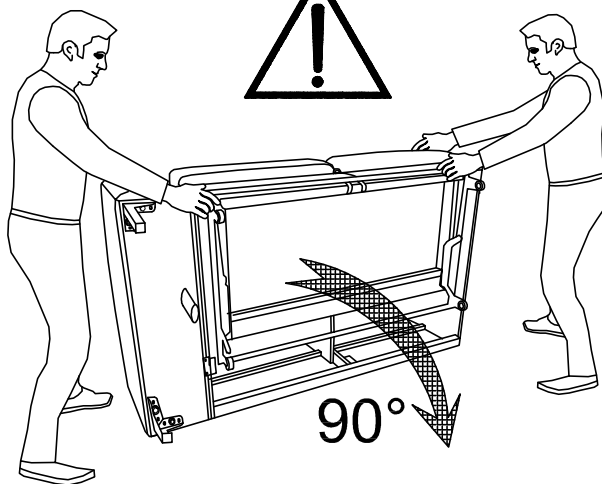
3

3FBL

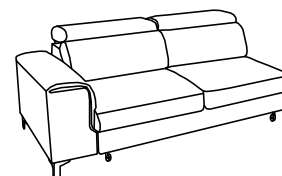


4

3FBL

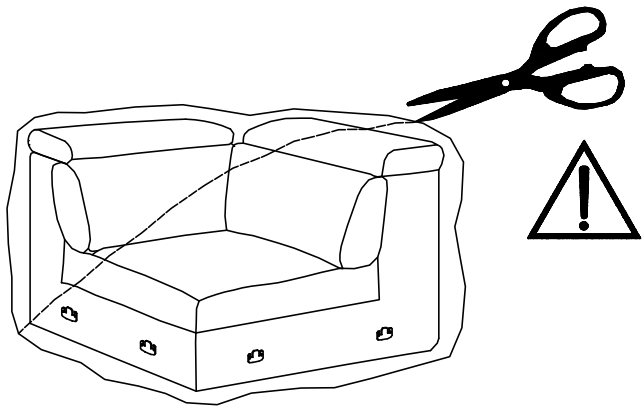


90°



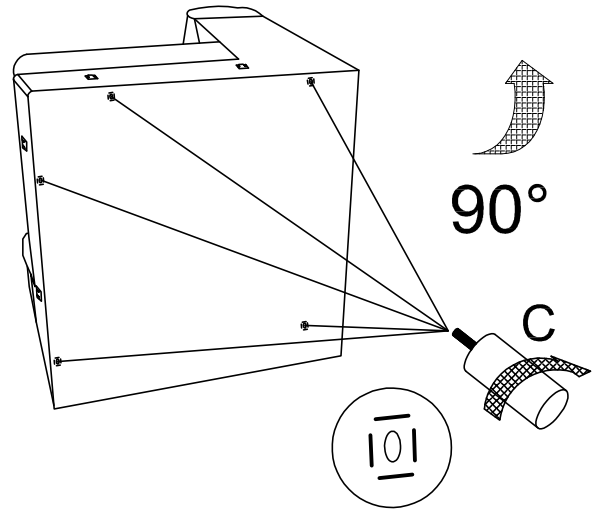
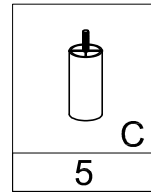
5

R



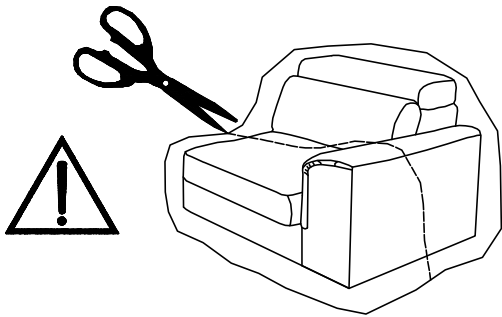
6

R



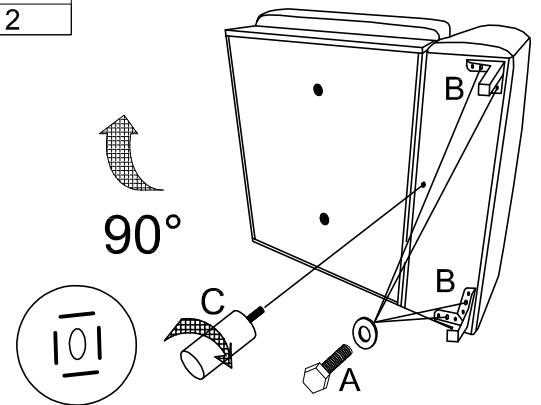
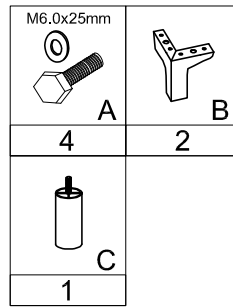
7

1SBP

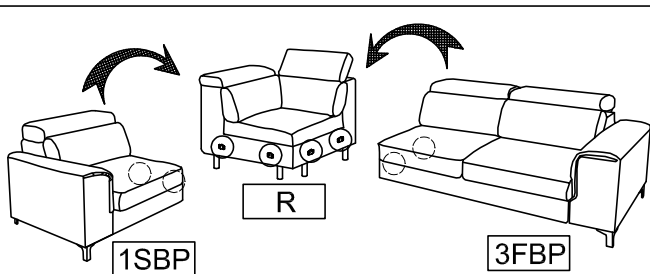
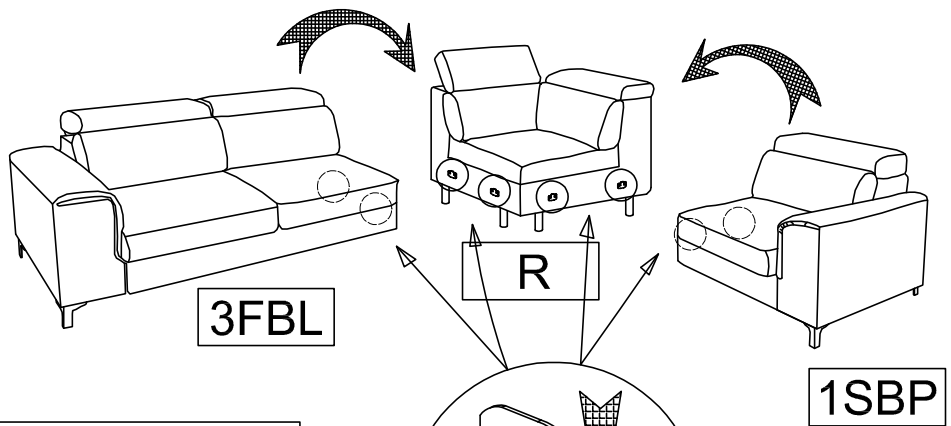


8

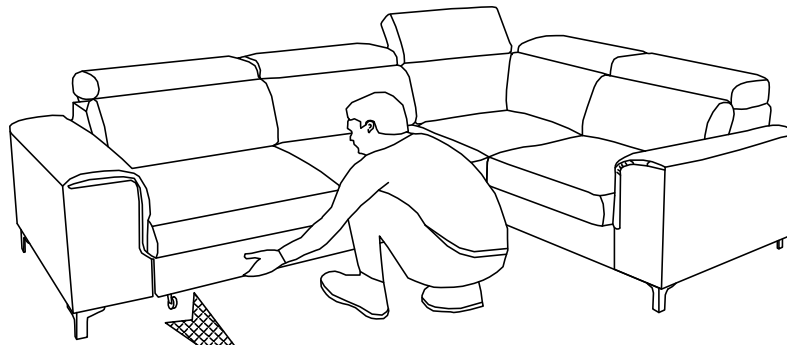
1SBP



9

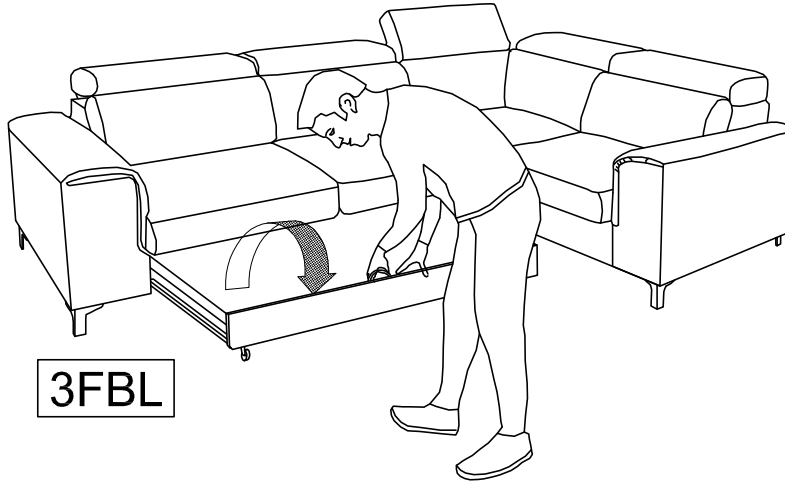


10

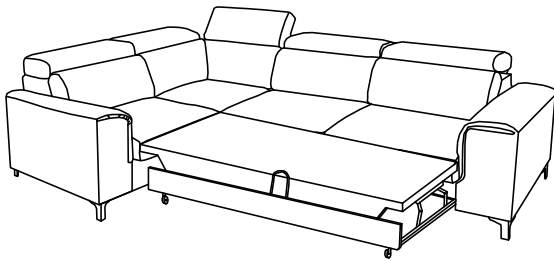


3FBL

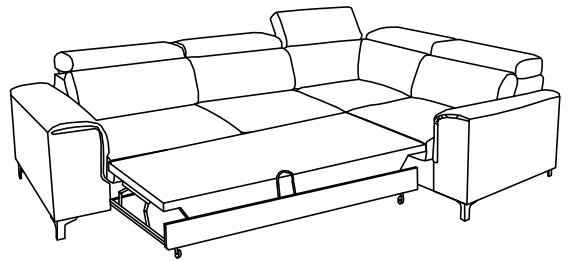
11



3FBL

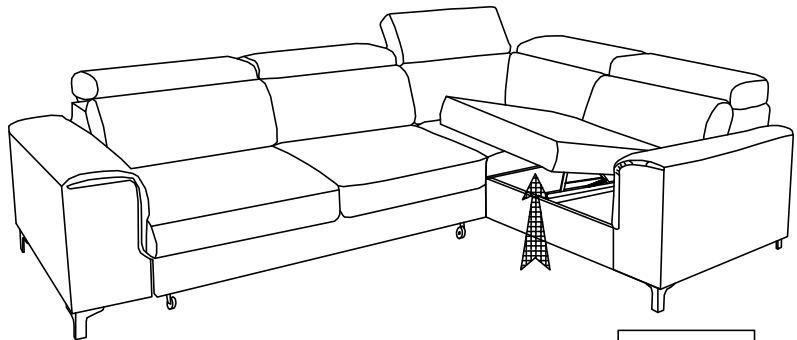


3FBP

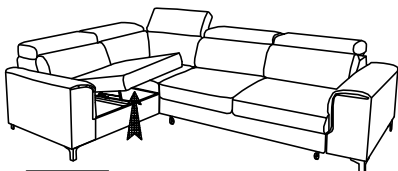
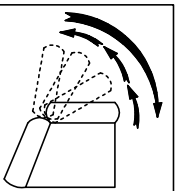


3FBL

12



1SBP



1SBL