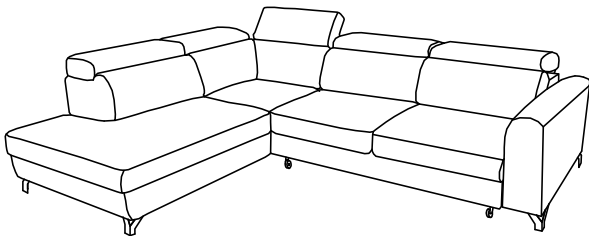
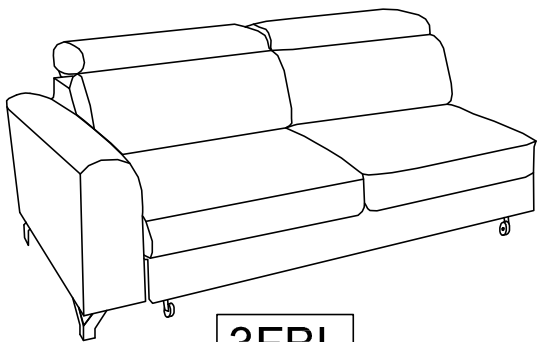
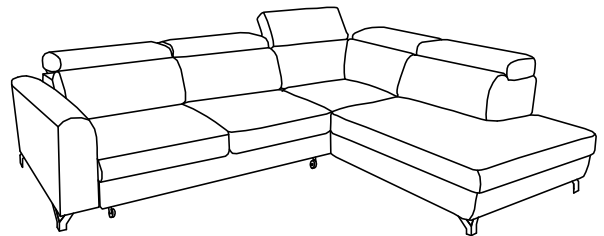


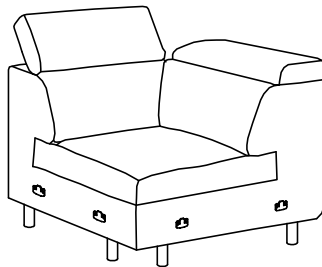
VERSION - L



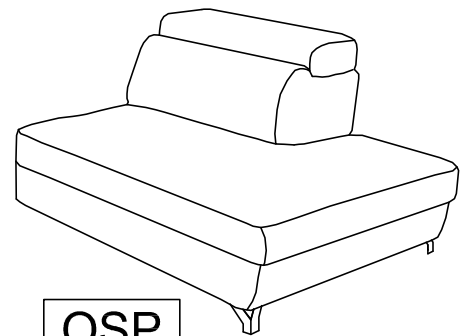
VERSION - R



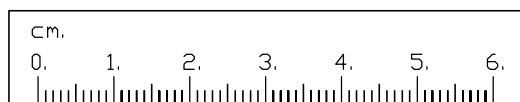
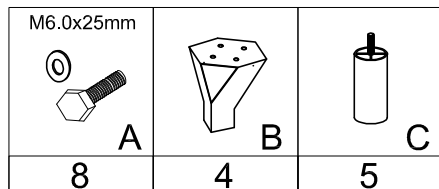
3FBL



R

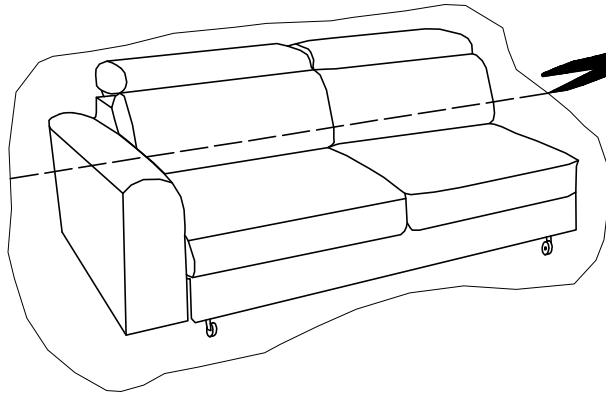


OSP



1

3FBL

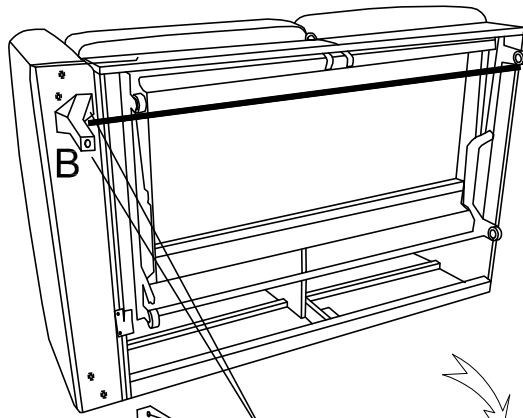
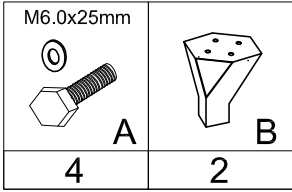


2

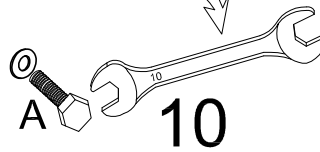
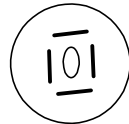
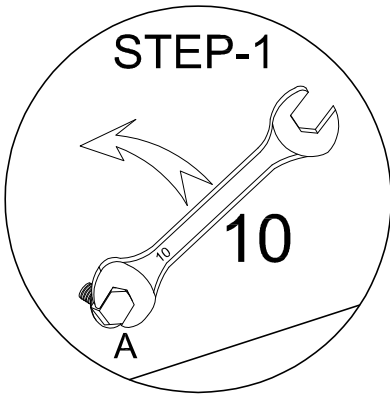
3FBL



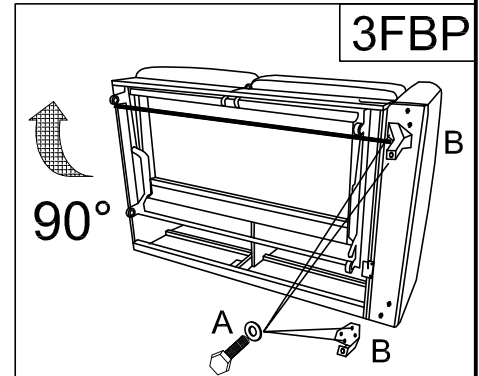
10



90°

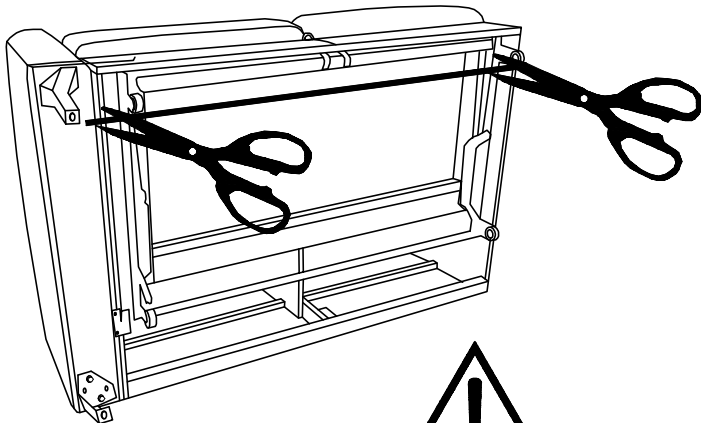


10



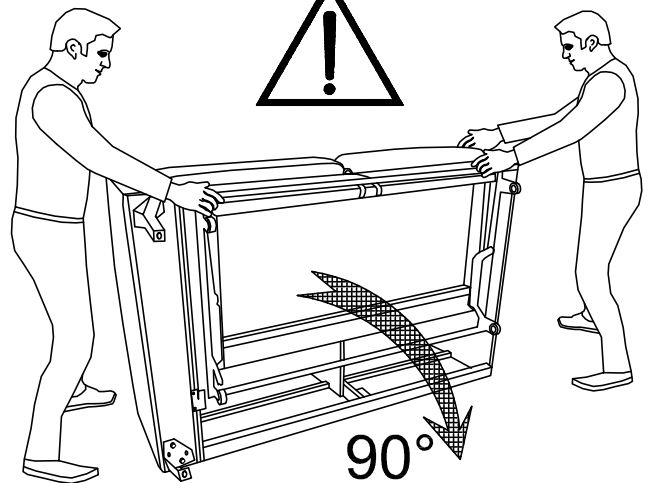
3

3FBL

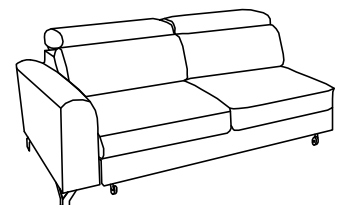


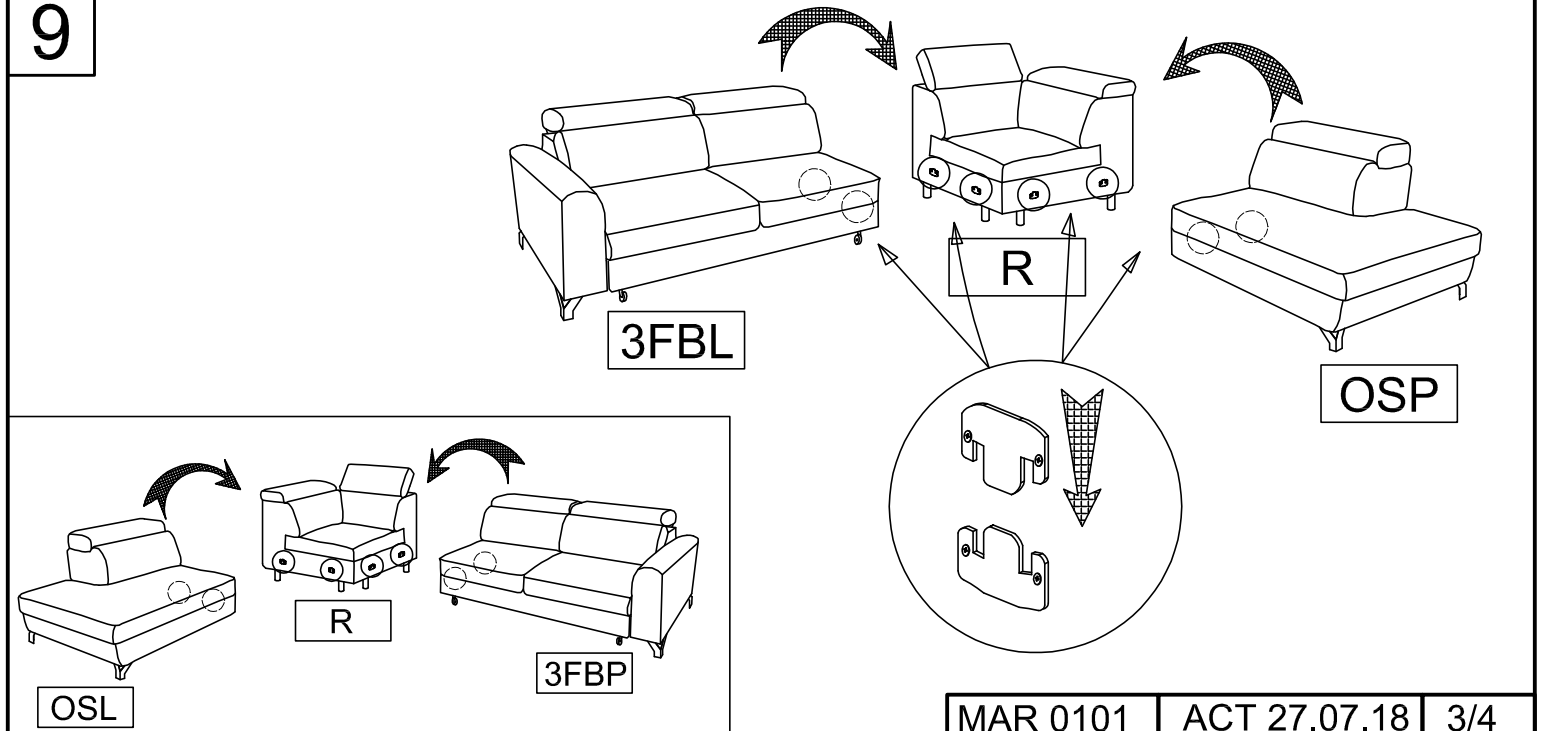
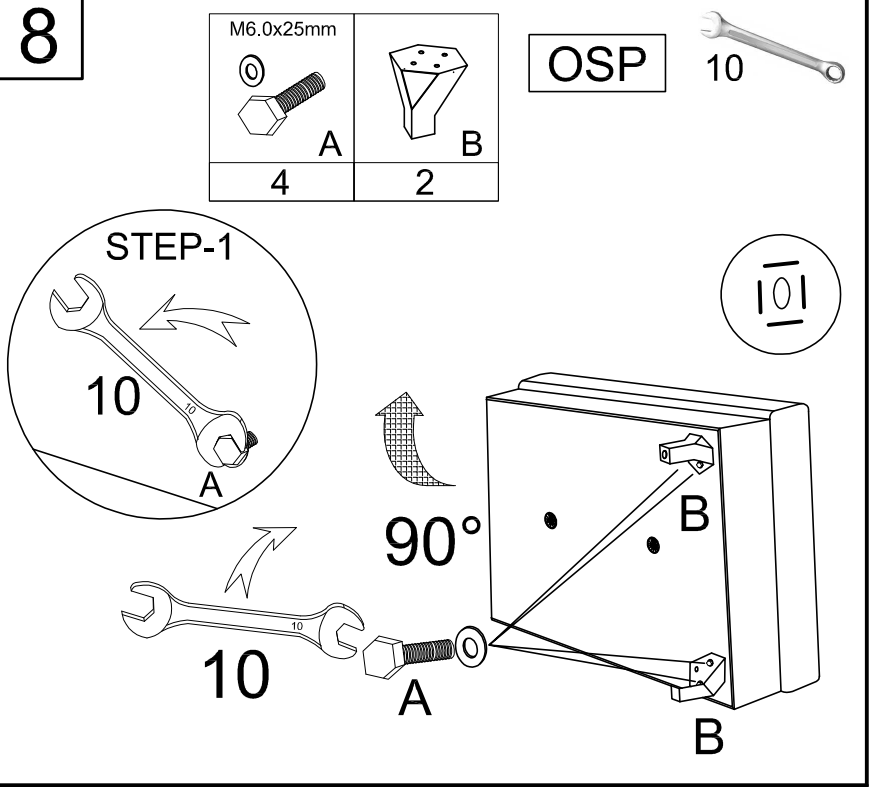
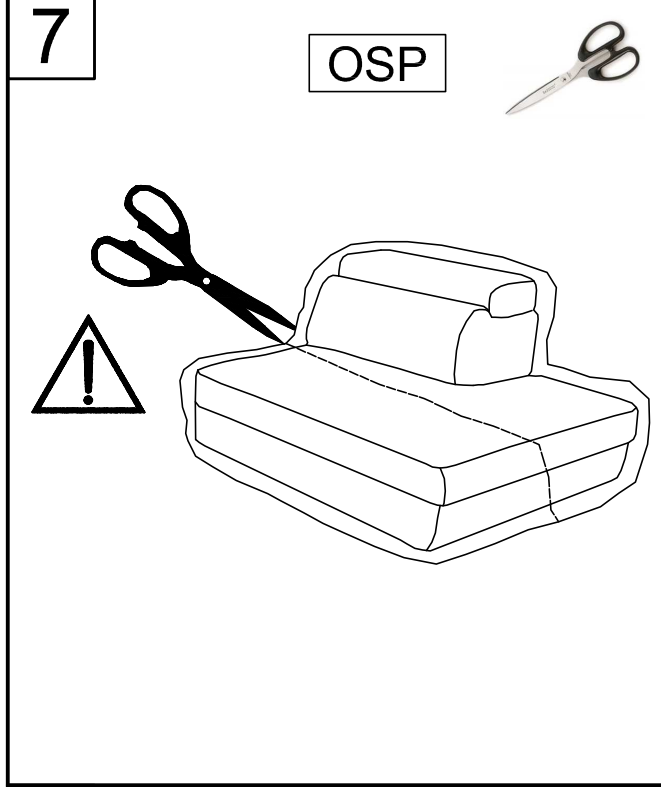
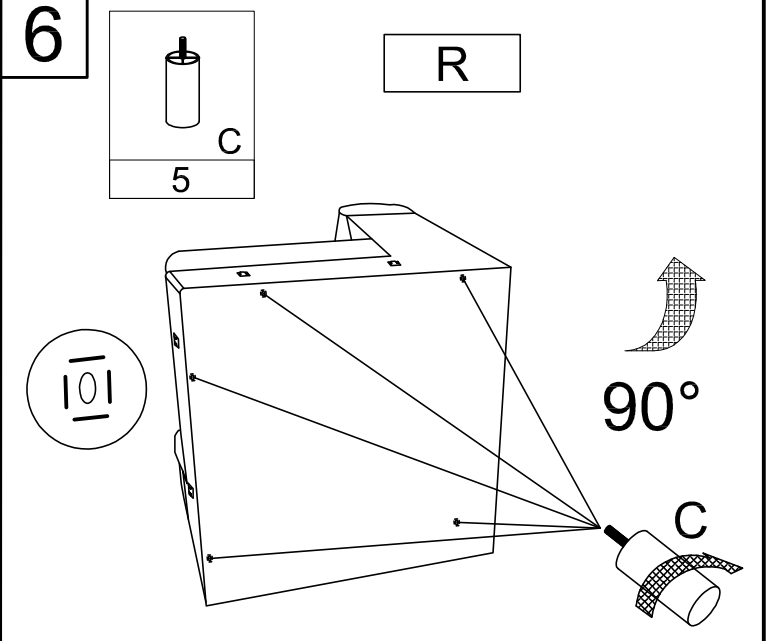
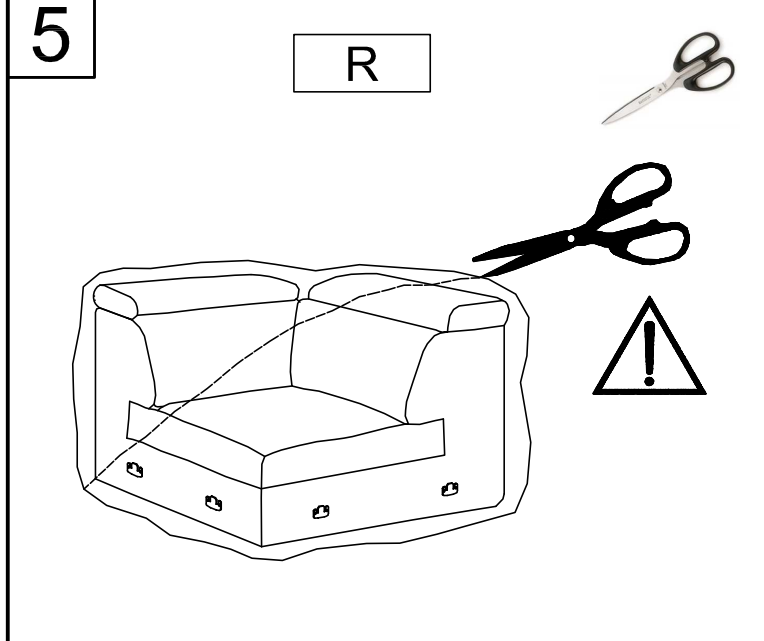
4

3FBL

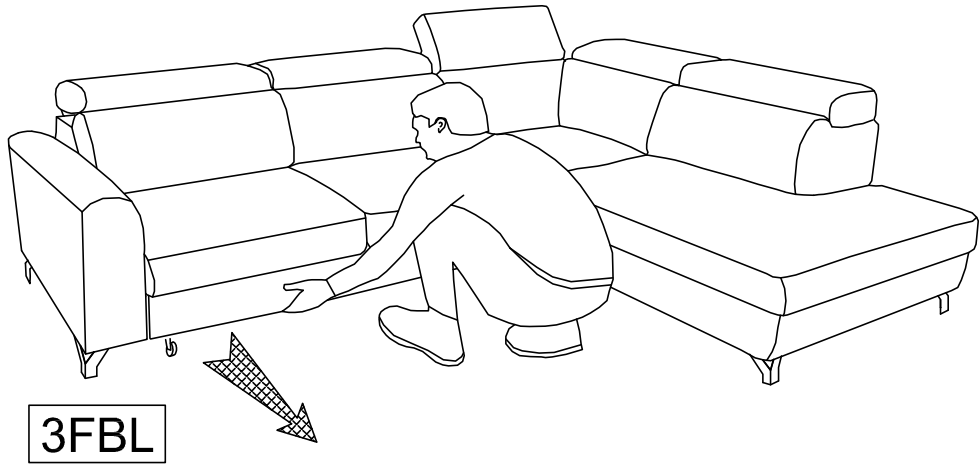


90°

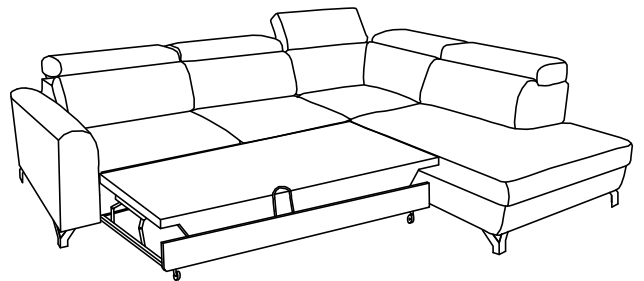
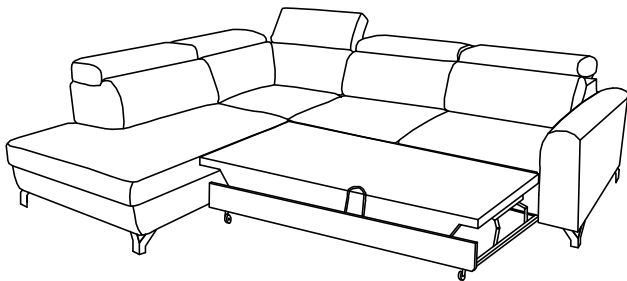
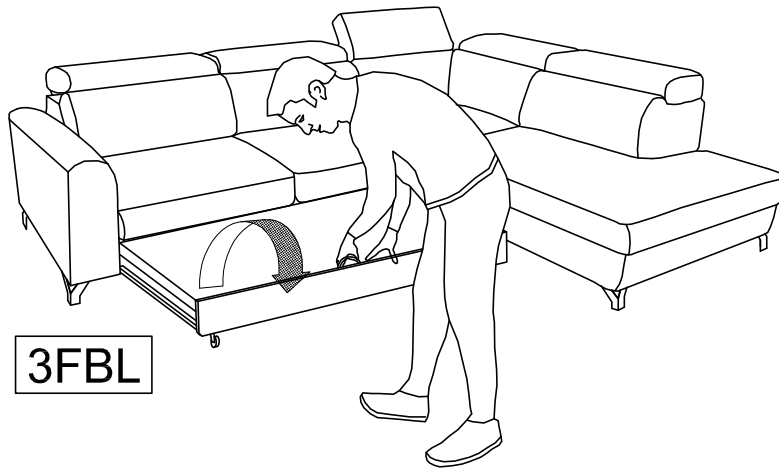




10



11



12

