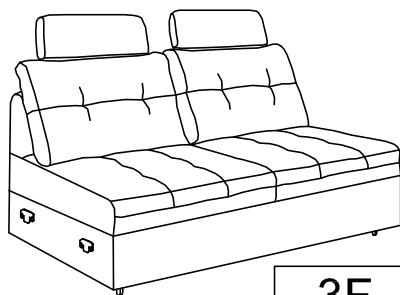
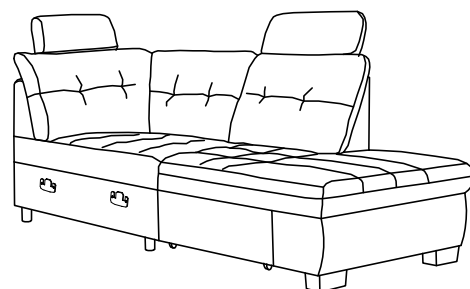






OSBL



3F

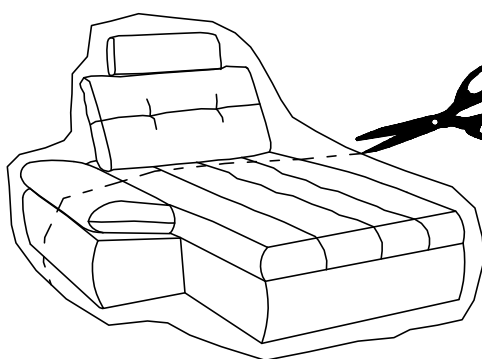


OSP





		M6.0x60mm 	4.0x70mm 
B	C	D	E
4	7	7	4

1

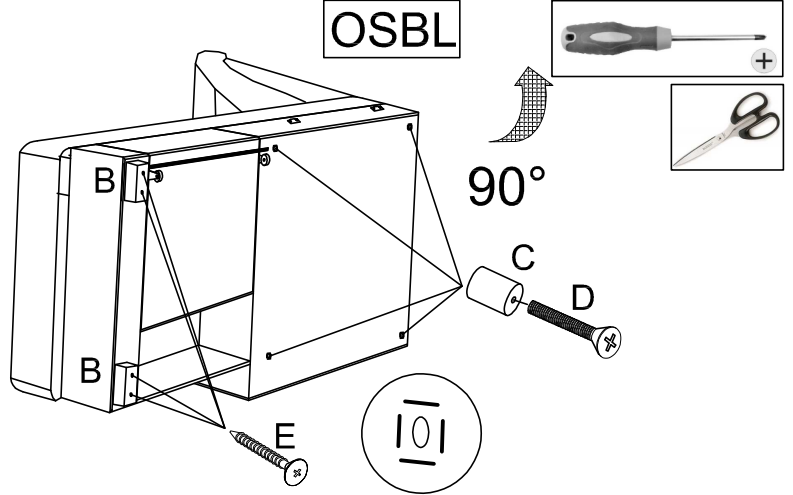
OSBL



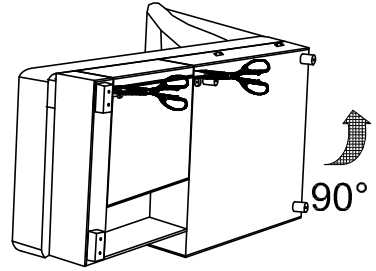
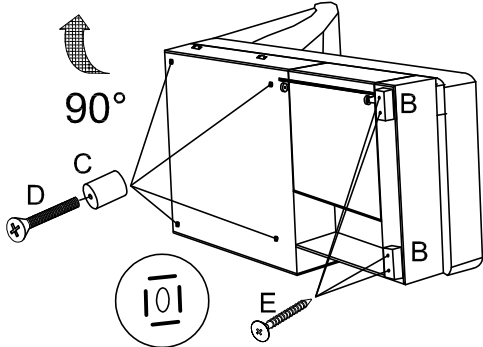
2

		M6.0x60mm 	4.0x70mm 
B	C	D	E
2	4	4	4

OSBL

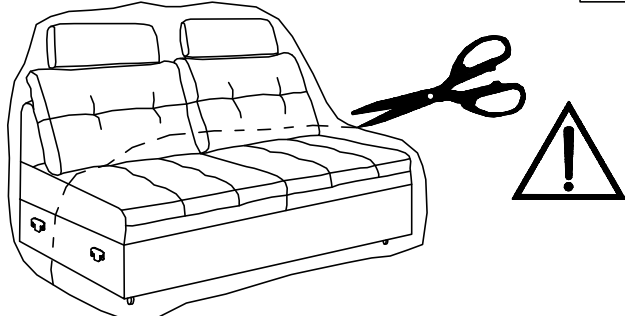


OSBP



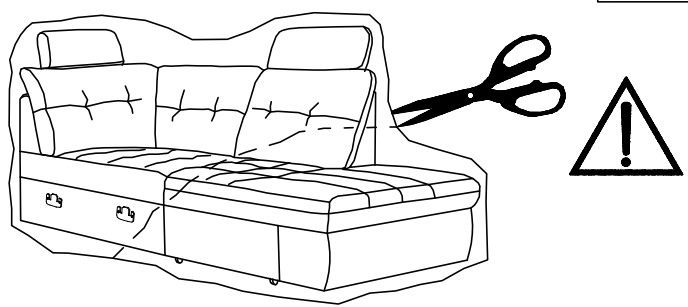
3

3F







4

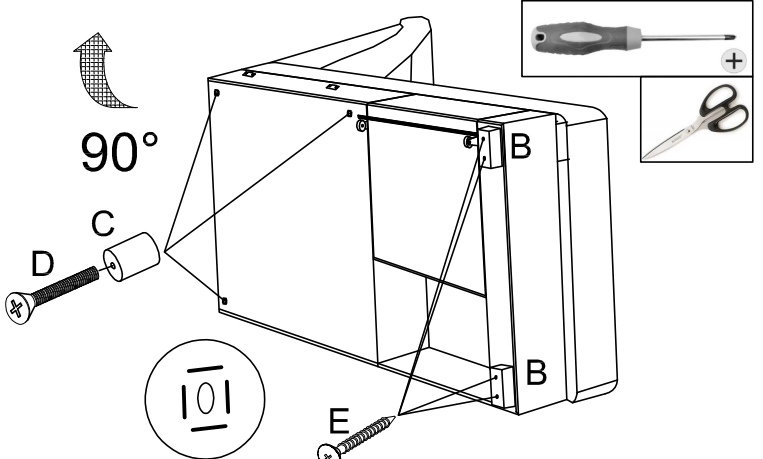
OSP



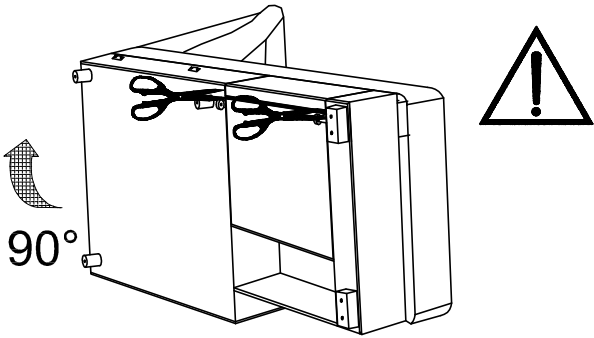
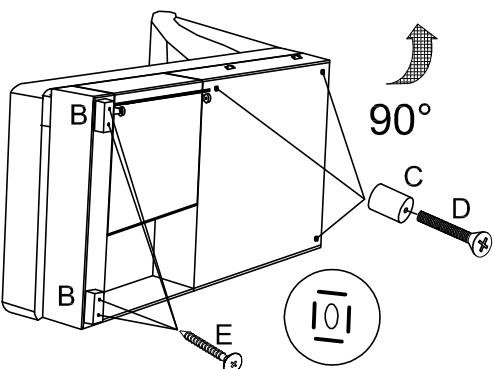
5

		M6.0x60mm 	4.0x70mm 
B	C	D	E
2	3	3	4

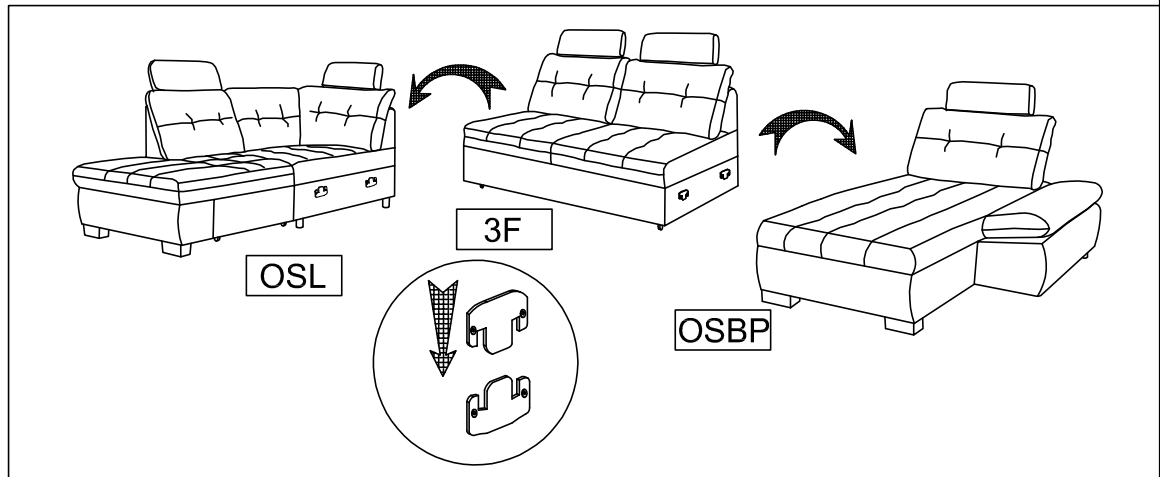
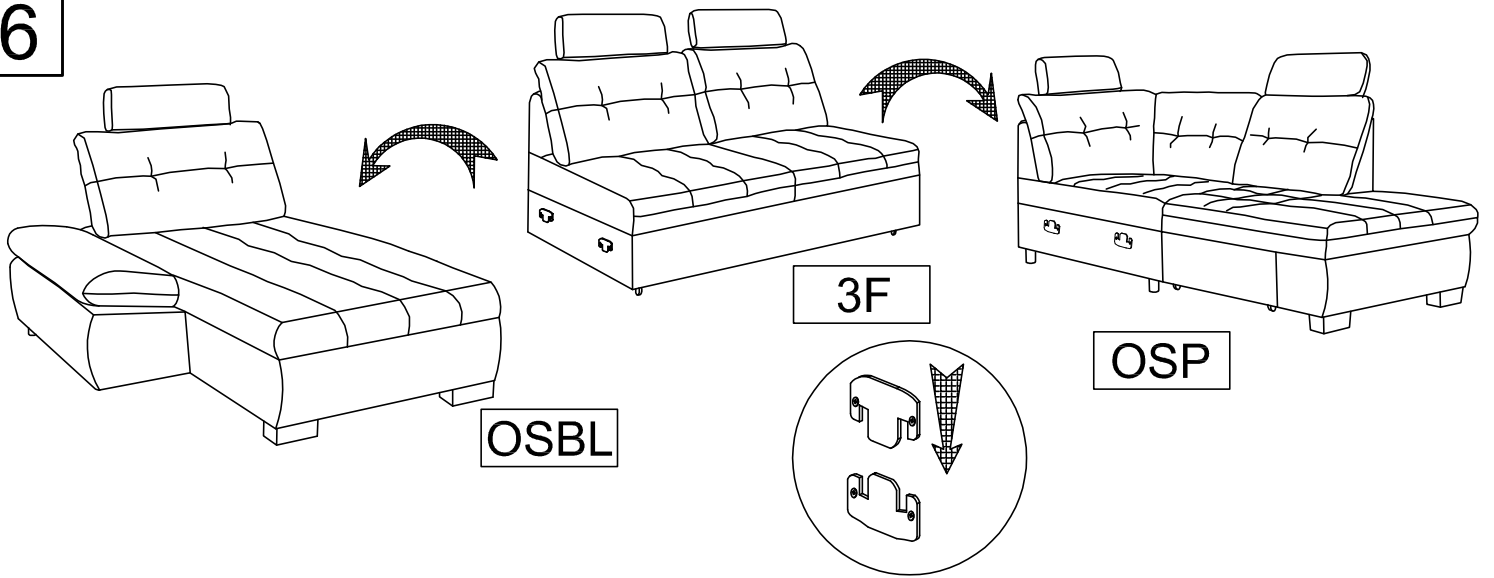
OSP



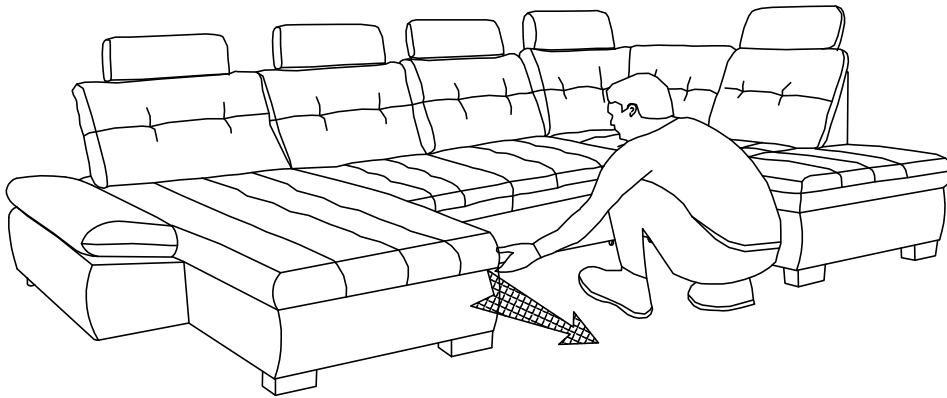
OSL



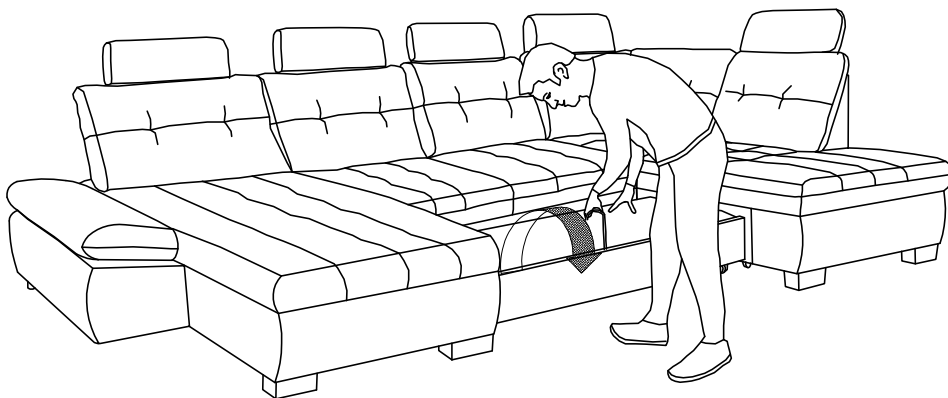
6



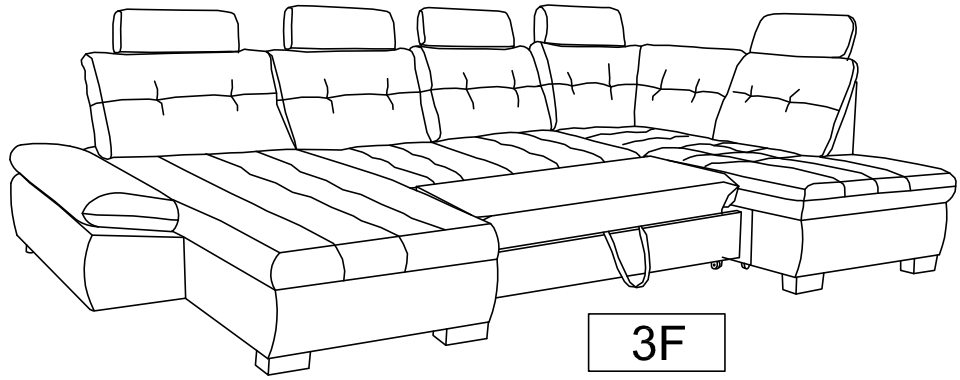
7



8



9



10

