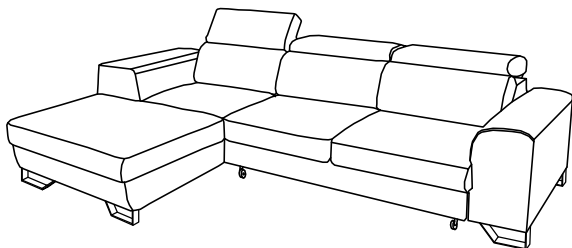
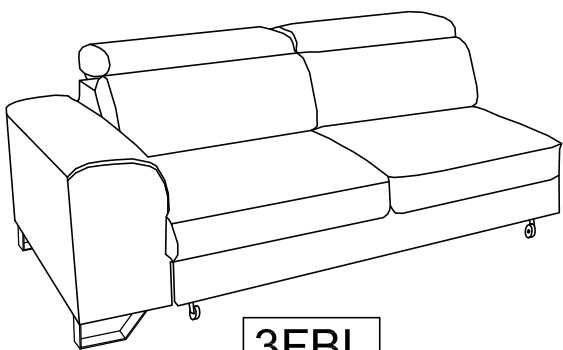
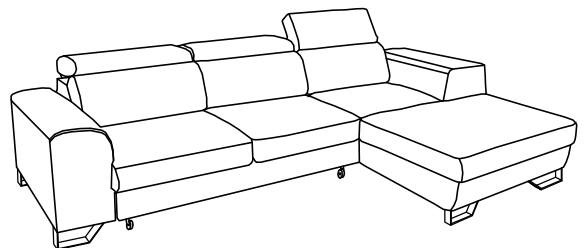


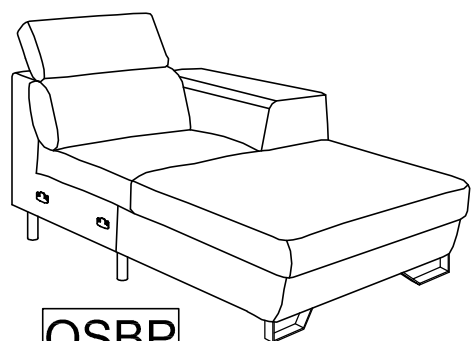
VERSION - L



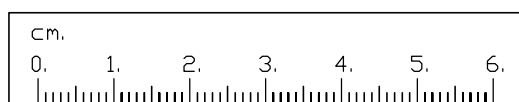
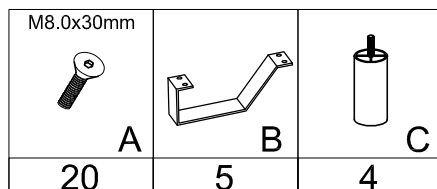
VERSION - R



3FBL

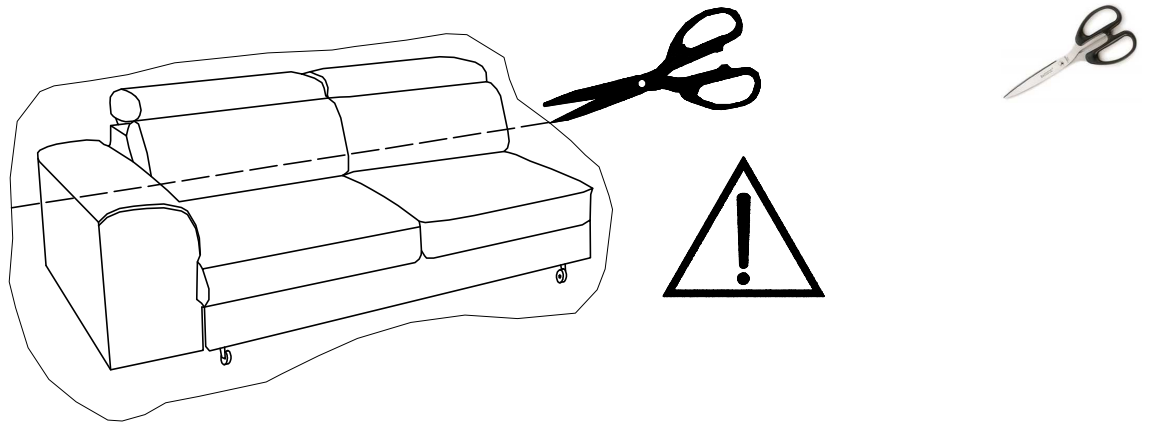


OSBP



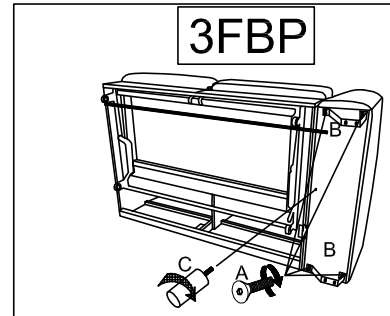
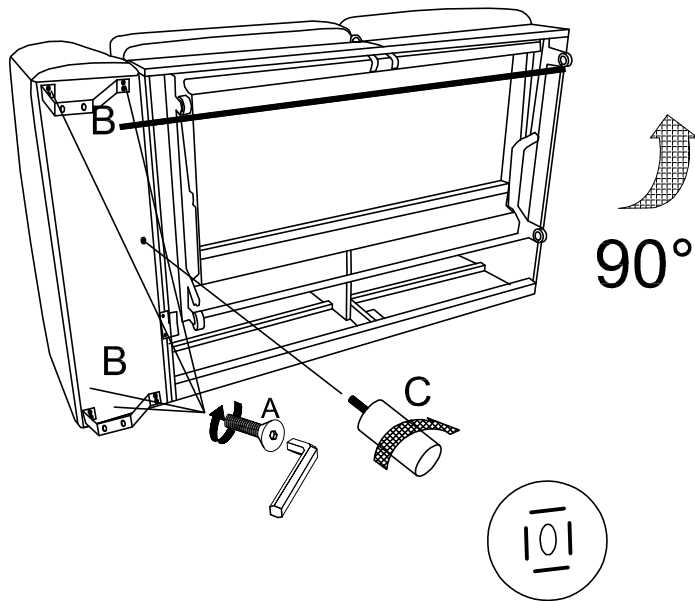
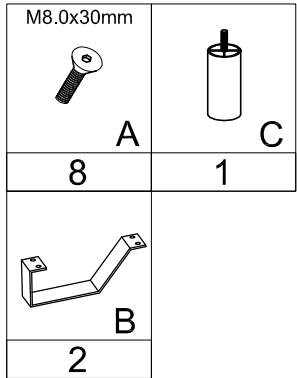
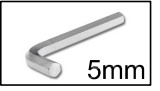
1

3FBL



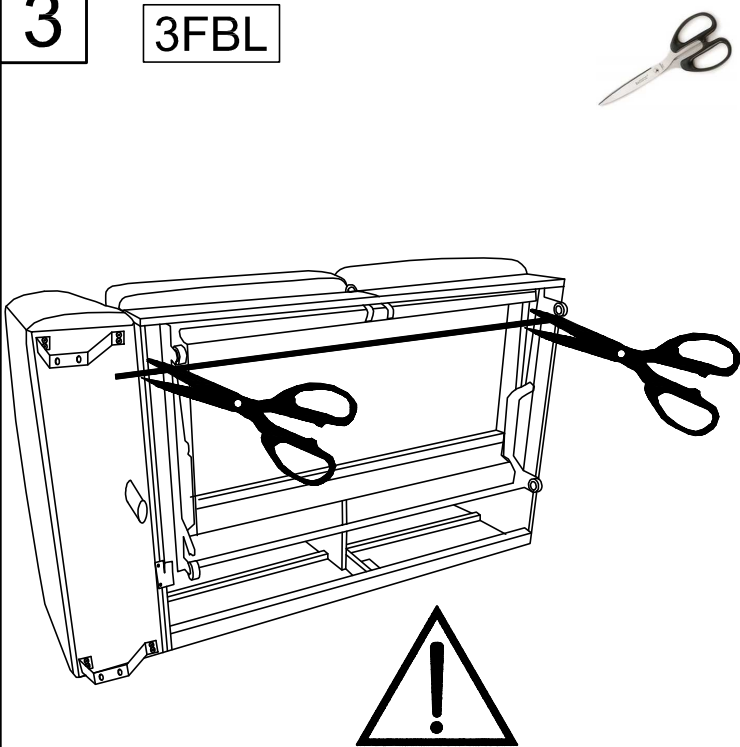
2

3FBL



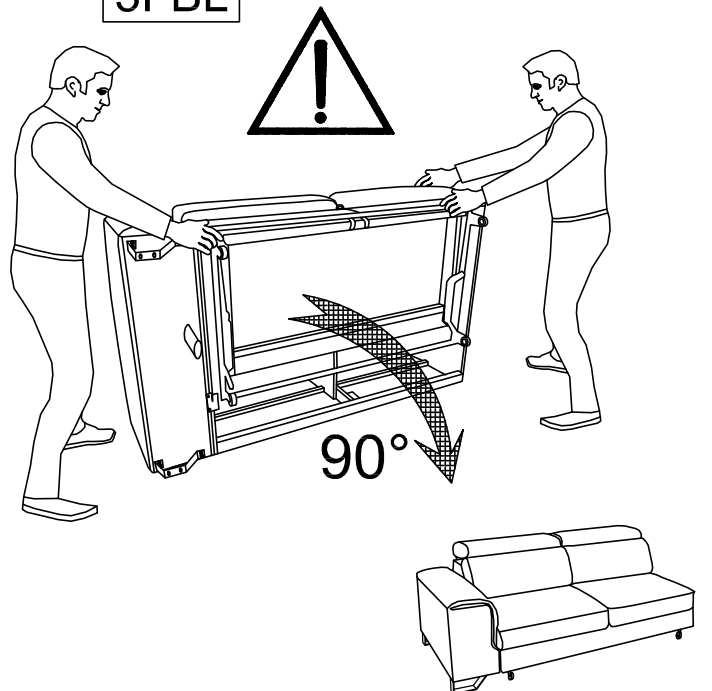
3

3FBL



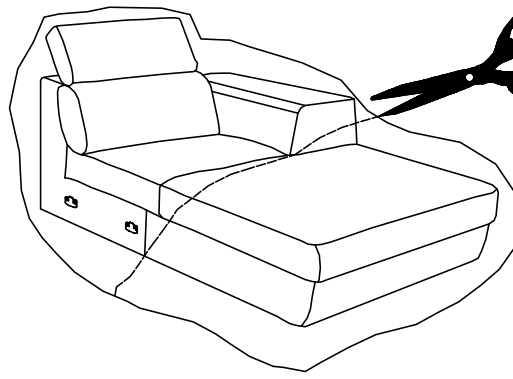
4

3FBL





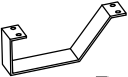
5

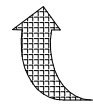
OSBP



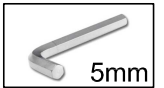
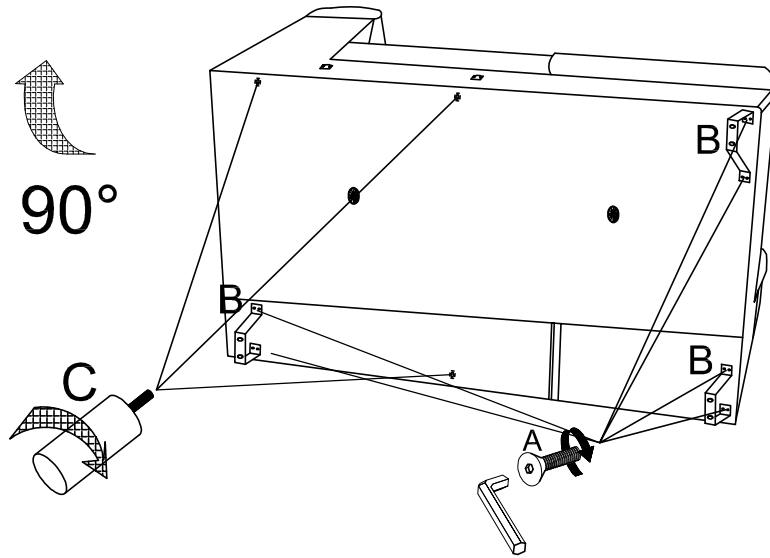
6

OSBP

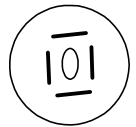
M8.0x30mm		
	A	C
	12	3
	B	
	3	



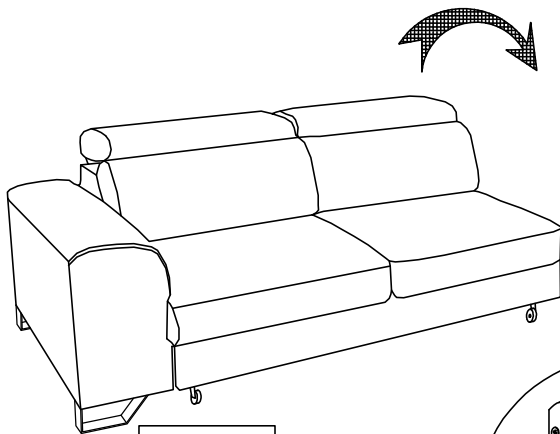
90°



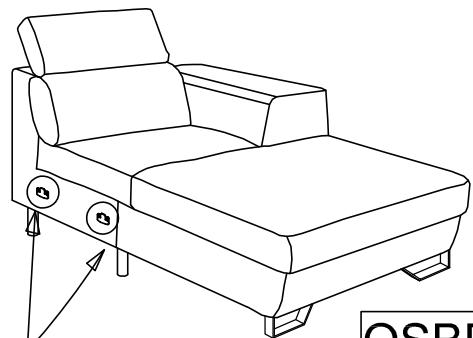
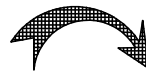
5mm



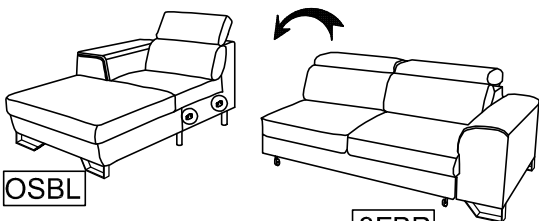
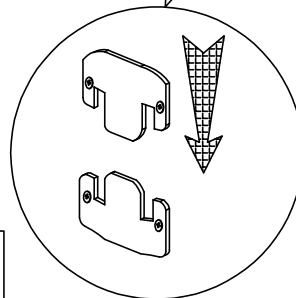
7



3FBL



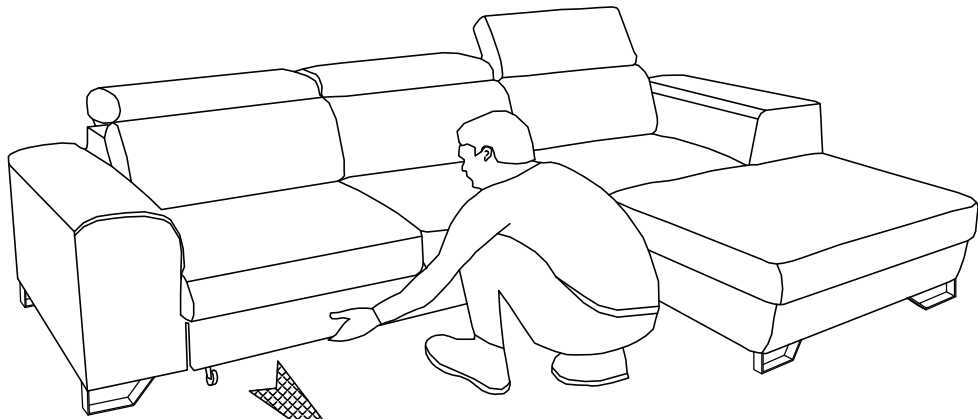
OSBP



OSBL

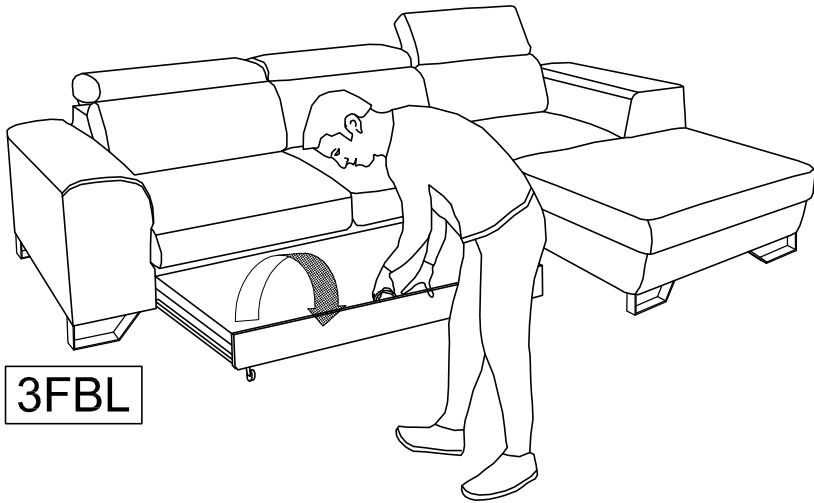
3FBP

8

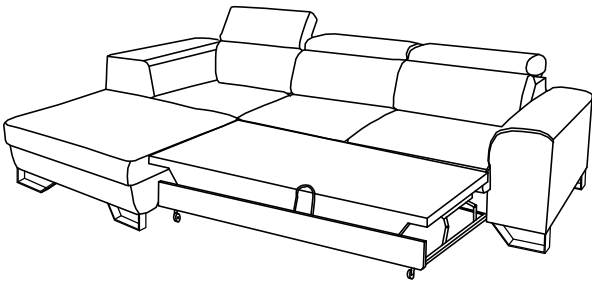


3FBL

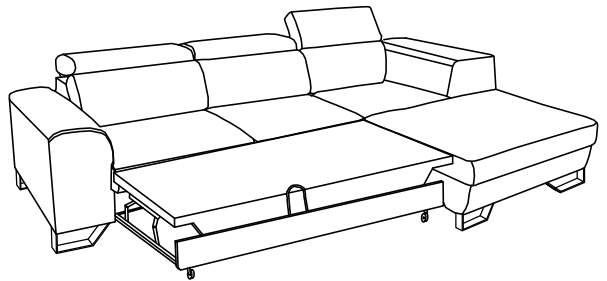
9



3FBL

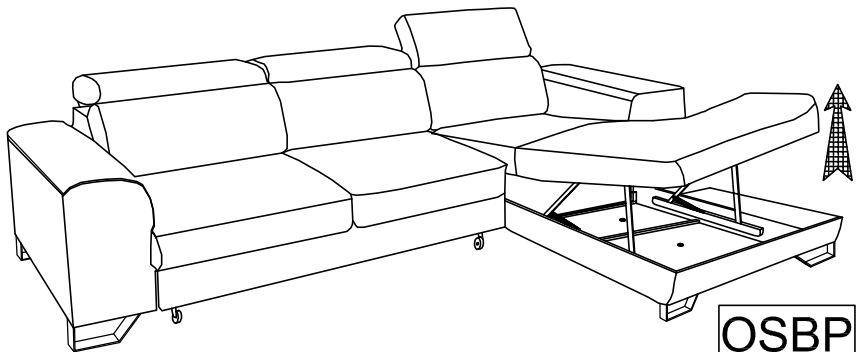


3FBP

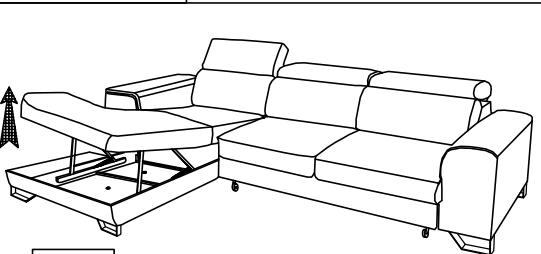
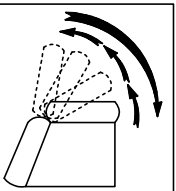


3FBL

10



OSBP



OSBL